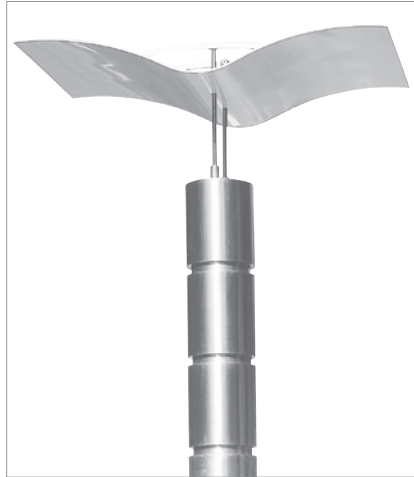


HERMES

Ethereal waves of light that appear to float above a deliberately chunky column, designed to incorporate other elements including speakers and sockets. Height from 3m to 4m.

PRODUCT GALLERY



DESCRIPTION

Created by the architectural consultants Art & Build in collaboration with Pierre Lallemand, Hermes forms one element of a coherent ensemble of street furniture (benches, bollards, window boxes). The indirect lighting allows for soft uniform light and excellent visual comfort. Various accessories can be incorporated into the lighting column including loudspeakers, electric sockets and other items on request.

Mounting Details

- Lighting column available in two sizes:
- Hermes I: 3m
- Hermes II: 4m
- Flange mounted as standard. Other mounting configurations on request.

Lamp options

- Ceramic Metal Halide 35W, 70W, 100W & 150W

Control gear & Control options

Control gear is mounted on a spacer under the optical compartment in the top of the column. Electrical connection is via a hatch at the foot of the lighting column.

Optics

- Indirect lighting with a choice of symmetrical or asymmetrical distribution. The focus is specifically adjusted to minimise the loss of luminous flux.
- Hermes I: Reflector type 1553, 1597
- Hermes 2: Reflector type 1562, 1679

Materials

- Column: hot galvanised steel, clad in cylindrical elements made of painted cast aluminium.
- Luminaire: Body in cast aluminium painted in any RAL or AKZO colour. Optical compartment within the luminaire closed in by high thermal resistance glass.
- 2.5-mm thick wing-shaped aluminium reflector painted in white. Supporting uprights in stainless steel.
- Other finishes of lighting column are available as options: the cylindrical elements can be supplied in stainless steel, brushed or with a satin finish. The lighting column is also available without the cylindrical elements.

Protection class (IP)

- Optical compartments tightness level: IP 66 Sealsafe®
- Control gear tightness level: IP 43

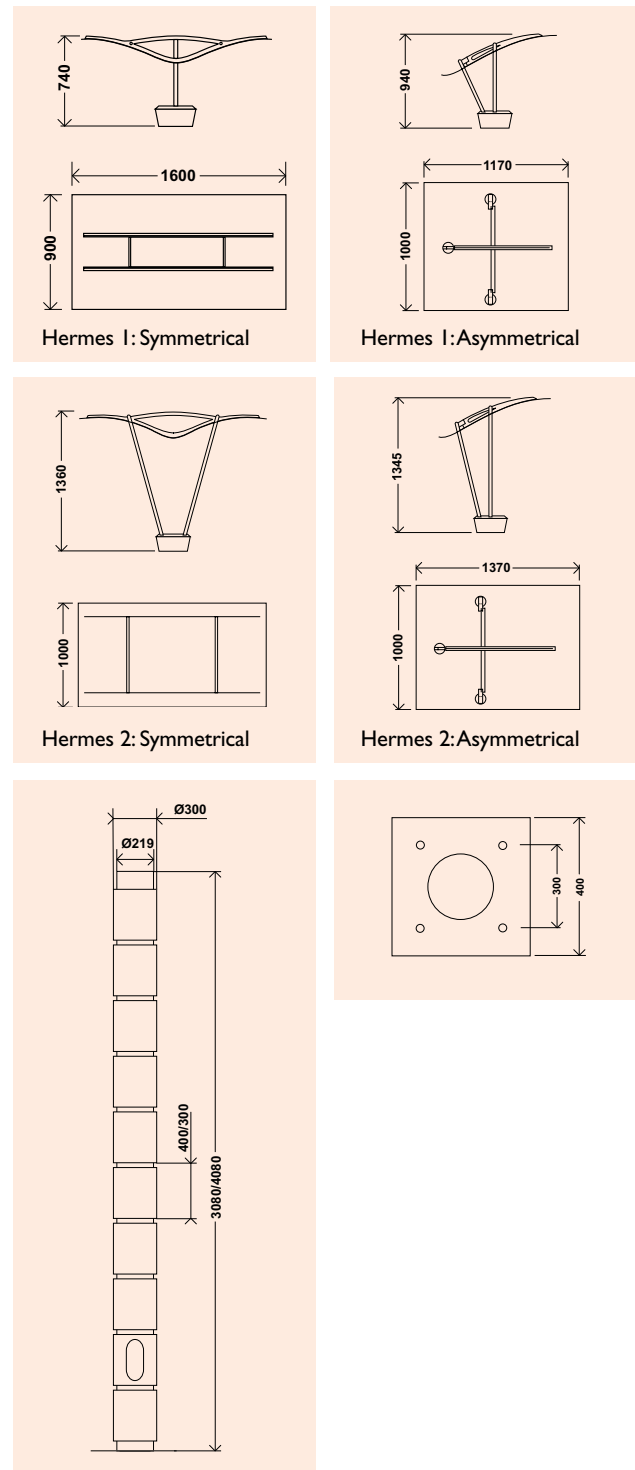
Electrical Class & Nominal Voltage

- Class I / 230V/50Hz

Standards/Norms

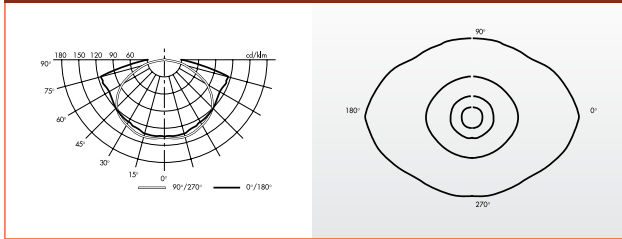
- EN60598/EN62262

DIMENSIONS

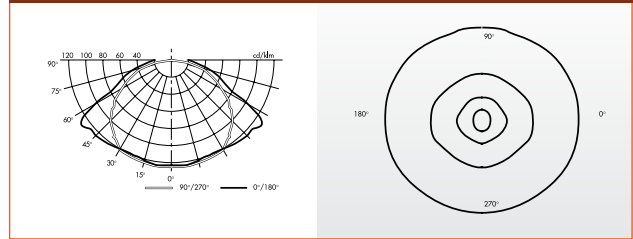


LIGHT DISTRIBUTION

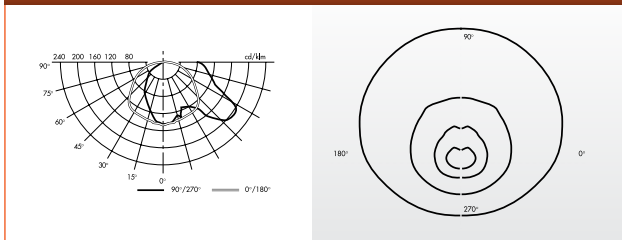
Reflector I553



Reflector I562



Reflector I597



Reflector I679

