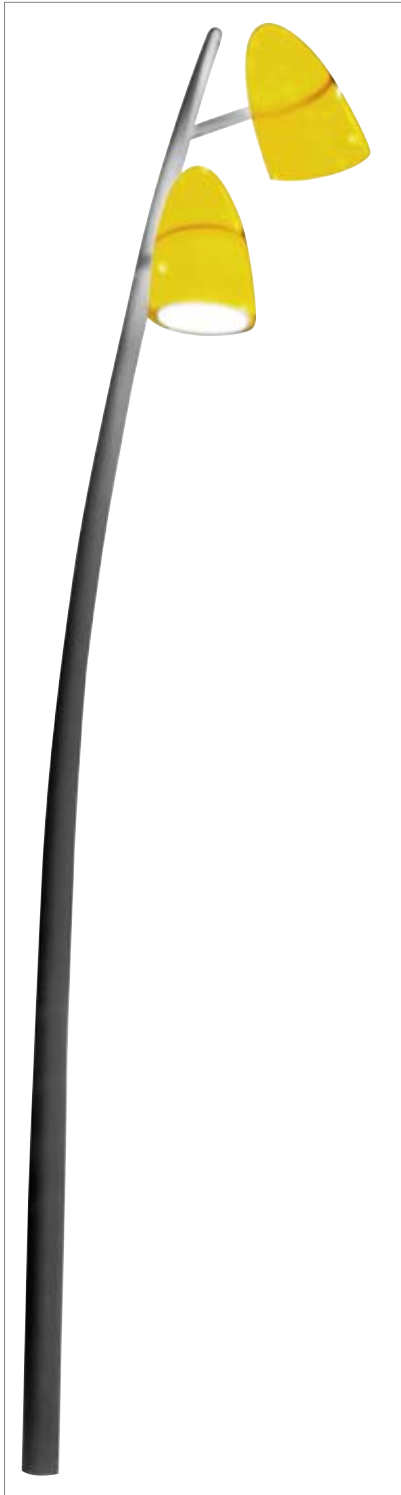


# PUNTILA

With organic looking designs that wouldn't look out of place at the Chelsea Flower Show, add some colour, light and shade to your world with Puntila. Heights from 4.5m to 10.5m.

## PRODUCT GALLERY



## DESCRIPTION

Developed by the German designer Walter Giers. Several coloured transparent luminaires are fitted to curved lighting columns in a plant-like design creating a playful light and shadow effect.

### Mounting Details

- Steel curved cylindrical-conical lighting columns fitted with brackets in heights from 4.5 metres up to 10.5 metres.
- Standard configurations: 4.5m column with 2 luminaires / 8m column with 3 luminaires / 8m column with 9 luminaires on 3 twisted brackets / 10.5m column with 4 luminaires on 4 curved bracket arms. Other configurations and heights on request.
- Flange or root mounting options.

### Lamp Options

- Ceramic Metal Halide 35W, 70W, 100W

### Control gear & Photocell options

- Supplied with integral control gear. The lamp is accessed by loosening the 3 captive screws attaching the protector to the body.
- Photocell option via NEMA socket fitted to the top of the column.

### Optics

- Reflector type 1575 symmetrical lighting distribution and reflector type 1659 asymmetrical lighting distribution. A spacer enables the position of the lamp to be adjusted in order to modify the light distribution and create the desired lighting effects.

### Materials

- Column: painted galvanized steel
- Luminaire: translucent polycarbonate body in green or yellow, a faceted reflector and a glass protector.
- Finish: Column in any RAL colour.

### Protection class (IP)

- Optical compartment: IP 54
- Control gear: IP 54

### Electrical Class & Nominal Voltage

- Class I or II / 230V/50Hz

### Impact resistance

- IK 08

### Weight (Empty)

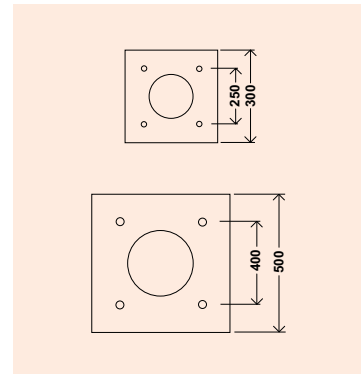
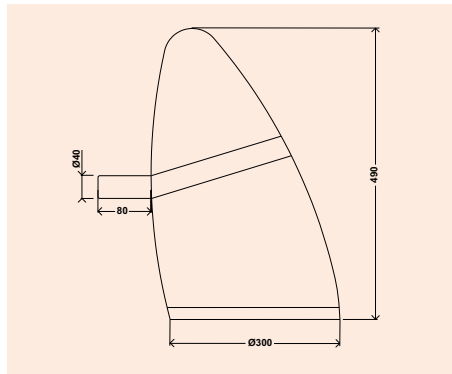
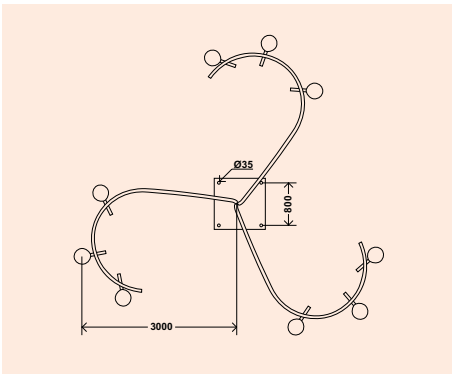
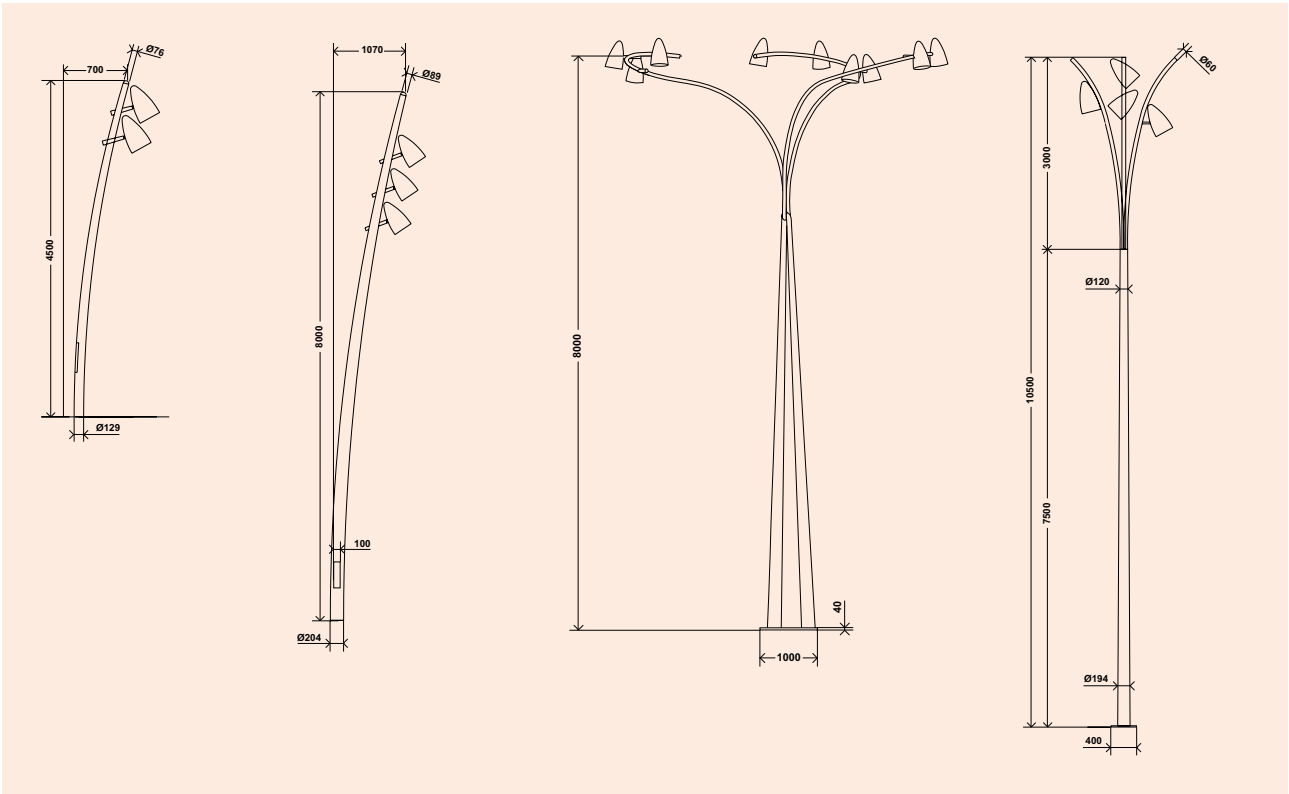
- 8.5kg

### Standards/Norms

- EN60598/EN62262

# PUNTILA

## DIMENSIONS



## LIGHT DISTRIBUTION

